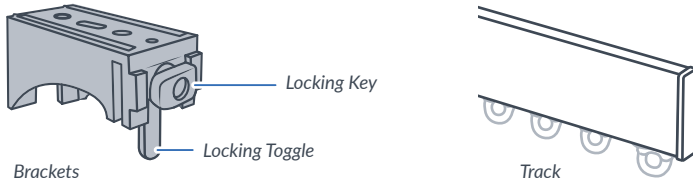




FITTING COMPONENTS



REQUIRED TOOLS & MATERIALS (Not Supplied)



Metal tape
measure



Spirit level



Pencil



Drill



Flat head
screwdriver

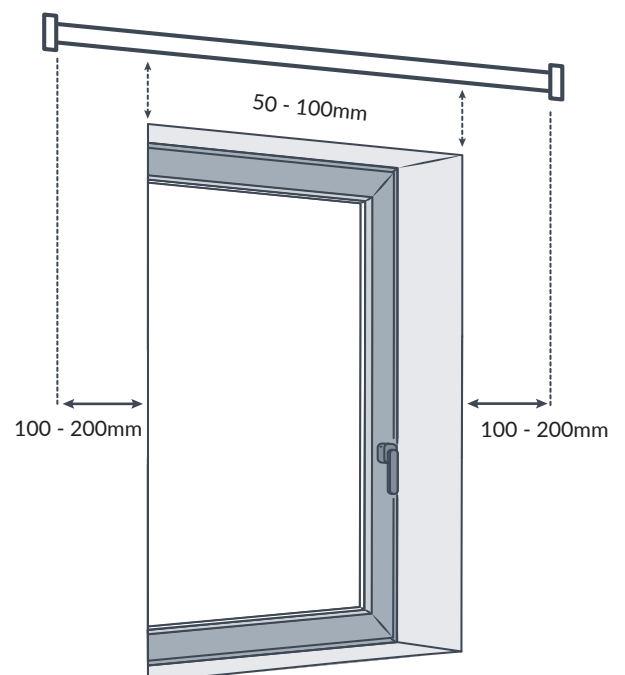


Fixing Screws and
Wall Plugs

1

Positioning Your Track

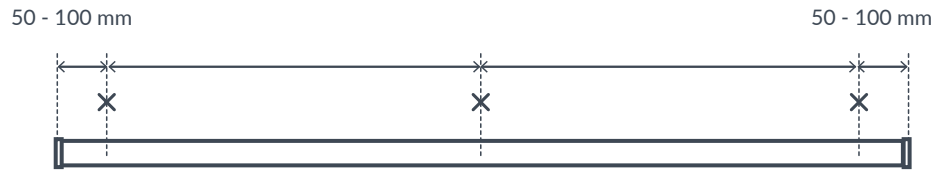
If securing your track to the wall, we advise positioning it at least 150mm above the window or recess



2

Spacing Your Brackets

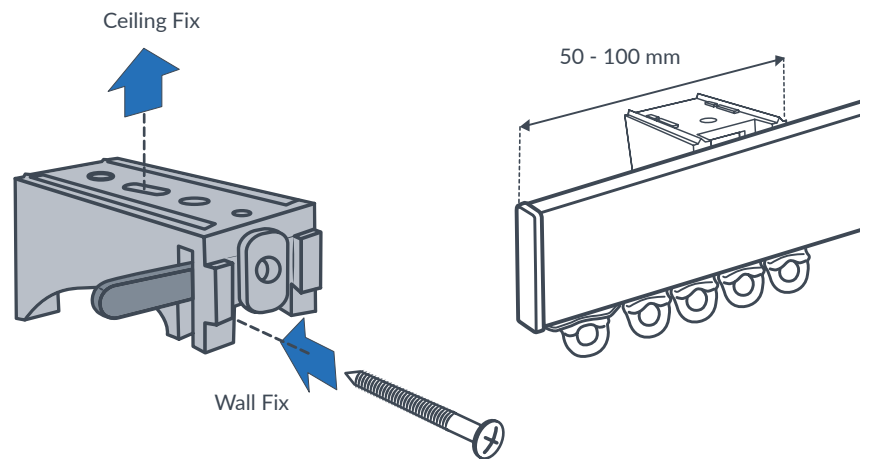
Mark out the positions for your brackets, ensuring an even spacing between each one to ensure a secure installation.



3

Fixing Your Brackets

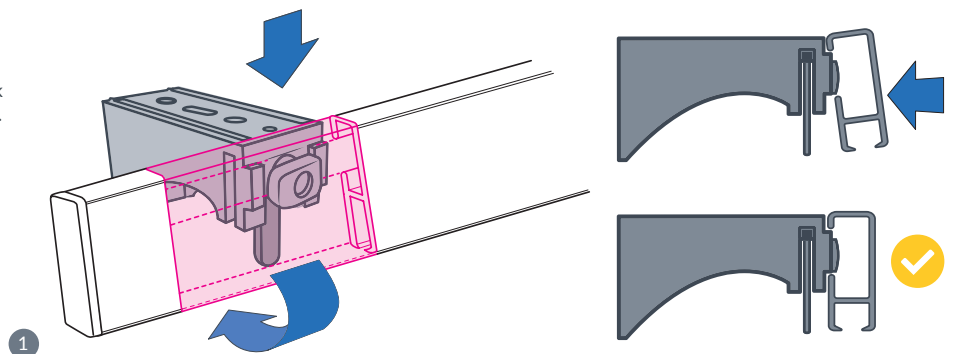
Use your screws and wall plugs to affix your brackets securely to the wall or ceiling in the marked positions.



4

Click & Lock Into Position

- 1 Before attaching the track to the bracket, ensure the bracket's toggle is in the vertical 'Unlocked' position. Then, position the track at a 30-45 degree angle above the brackets. Push the track forward and down until it is flush with the bracket's 'Locking Key'.

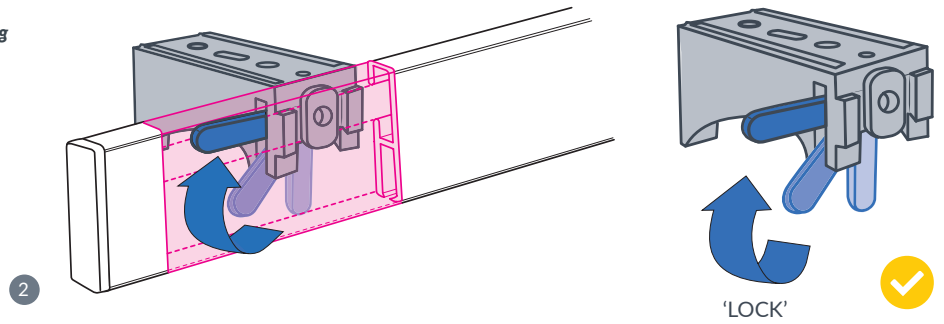


4

Click & Lock Into Position

- 2 Finally push the toggle into its horizontal "Locked" position.

Repeat this process for each bracket, ensuring all are locked into place



5

Your Track Is Ready

The track is now ready for your curtains to be hung.

